



INSTALLATION AND OPERATING INSTRUCTIONS

Rakka M, E2 and O Types

Contents

1	General safety instructions	3
2	Rakka heater M and E2 types	4
3	Heater assembly and installation	4
	Heater assembly	4
	Stacking the stones	5
4	Technical specifications	6
	Heater power and voltage	6
	Heater dimensions	6
	Required amount of stones	6
	Minimum distances to inflammable material	7
5	General instructions for users of Rakka heaters	8
	Note	8
	Installation cable	8
	Additional connection options	8
6	Things to keep in mind when using the heater	8
	First heating	8
	Sauna room	8
	Temperature control	8
	Heating time	8
	Water thrown on heater	8
	Sauna room construction	9
7	Wiring diagram M type	9
8	Time switch and thermostat operation M type	10
	Additional connection options	10
9	Installation instructions E2 type	11
	Installation of controller and sensor	12
10	Wiring diagram E2 type	13
	Controller card wiring, heater	13
	Controller card wiring, controller.....	13
11	Heater control and operation, model E2	14
	Switching on the heater	14
	Starting the heating process	14
	Timing of the heating process	14
	Starting the heating	14
	Stopping the heating or timing process	15
	Quick start of the heating process	15
	Parental control	15
	Error codes	15
12	Heater control and operation, O type	16
13	Troubleshooting	17
	Heater does not heat up	17
	Warnings	17
	Warranty	17
	Maintenance, spare parts	17
	Natural stone as a material	17
	Changing the heater stones.....	17
14	Service history	18

1. General safety information



To ensure safe use of the sauna, please read these safety instructions first!

Electrical connections may only be made by an electrician with a valid installation authorisation according to the current regulations.

The Mondex electric heater is suitable for use in a family sauna, one (1) heater per sauna room. Retain the installation and operating instructions for further reference.

Always check the adequacy of the fire protection distances!

Failure to observe the connection instructions may cause a fire hazard!

Always check the sauna room before switching the heater on!

Always check that the controller has switched the heater off after the set time period!

Due to the risk of fire, do not use the sauna to dry clothes or laundry.

Exercise caution with a hot heater, since the heater stones and metal parts become very hot and can cause burns.

Steam from the heater is burning hot and may cause severe burns.

Children, disabled and ill persons who are using the sauna should be supervised.

Children may not play with the device.

A child must not carry out any cleaning or maintenance unattended.

Benches and floors may be slippery, therefore move in the sauna with caution.


Do not go to a hot sauna under the influence of narcotic substances (alcohol, drugs, narcotics, etc.).

A stone compartment without stones or filled improperly will present a risk of fire!

Covering the heater will present a risk of fire.

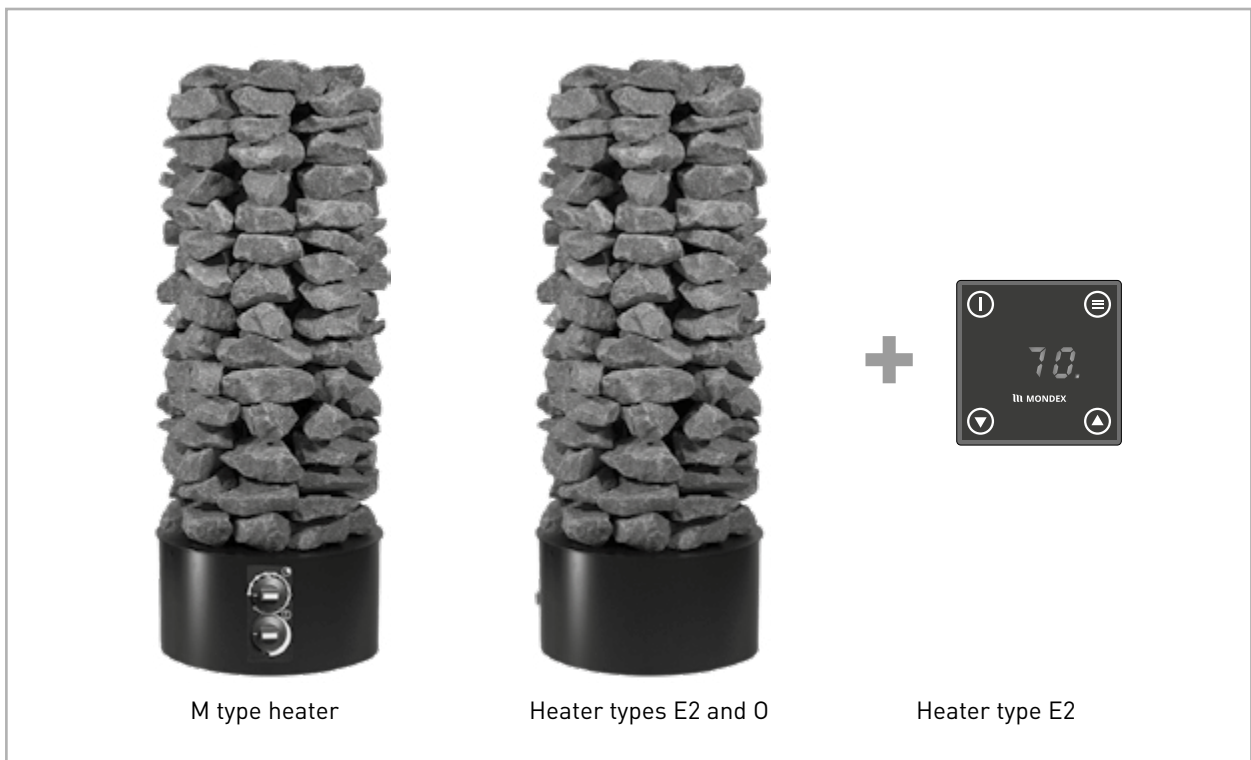
3

This device may be used by children who are 8 years of age or older, as well as by persons whose physical, sensory or mental abilities have deteriorated or who lack of experience and knowledge, only under supervision or when they have been instructed on the safe use of the device and they understand the hazards associated with using the device.

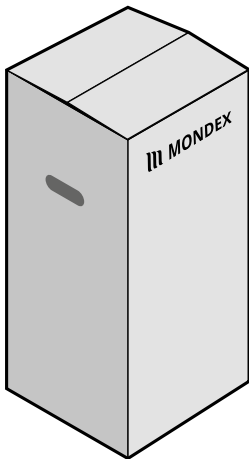
This device complies with the requirements of: 

Mondex pursues an active policy of product development and continuous improvement. For this reason, Mondex reserves the right to make changes relating to the design and technical specifications of their products without prior notice.

2. Rakka heater types



3. Heater assembly and installation



Heater assembly

- 1) Keep the heater in its original package in an upright position in a warm and dry location until it is installed.
- 2) The package includes the heater and the required stones, as well as for type E2 the thermostat sensor, electronic controller and the required cables. Inspect the heater components visually. If you notice any discrepancies, please contact the store from which you purchased the heater. Do not expose heater parts to blows and denting when taking it out of the package. The sauna's floor surface should also be properly protected before you begin the installation.
- 3) An electrician should connect the wires before the heater is installed. If needed, the position of the heater can be fine-tuned by using the adjustable legs. The legs must be opened by at least 30 mm. Observe the safety distances between the heater and any inflammable material in accordance with table 4.4 on page 7.
- 4) Place the heater on the floor and adjust the legs so that the heater stands straight.
- 5) Screw the threaded rods in the slots located in the base of the heater. Turn the rods all the way to the bottom.

Note: remove all plastic films before using the heater!



Figure 1.

Stacking the stones

Stack the stones in the Rakka heater so that the resistors remain upright and straight. The resistors may not be bent so that they are in contact with the metal structures of the heater or other resistors.

Stacking the heater stones

- 1) Begin stacking perforated stones onto the threaded rods one round/layer at a time. For the best end result, stack the perforated stones so that they fit each other as tightly as possible.

Note! Do not remove the supporting iron rods around the resistors. One of the rods is located at approximately 20 cm from the bottom, and the other one approximately 10–15 cm from the top. These keep the resistors apart from each other and prevent premature deterioration.

Tip: Remove topmost supporting rod of the resistors (for the duration of stacking) to facilitate laying stones to the centre of the resistor pillar.

Remember to replace the topmost supporting rod!

- 2) Place **non-perforated** heater stones of 5–10 cm in size, included in the delivery, on the inside of the resistors and between the resistors and perforated stones. Tip: first stack 2–3 layers of perforated stones and then add the stones on the inside. **Stack the inner stones more loosely to ensure a good airflow around the resistors.** Continue stacking in this manner until the heater is filled with stones.
- 3) Once you have a layer of perforated stones of approximately 30 cm, install the first round of support collars. The rod at which the previous support collar ends is the point where the next support collar begins (see Figure 1).
- 4) Once the collars have been installed, continue stacking perforated stones and inner stones.
- 5) Attach the next support collar round at 60–70 cm from the bottom plate of the heater.
- 6) Once all perforated stones and inner stones are in place, lay heater stones on top of the heater to cover the resistors.

Do not make a heap of stones on top of the heater!

Do not use the heater without the stones!

Dents caused by the user or others are not covered by Mondex's warranty or other product liability. When stacking the stones, be careful not to dent the heater's metal or painted surfaces to avoid damaging them. For more information on the warranty and replacing stones, see page 17.

4. Technical specifications

Heater	Rakka 6.6	Rakka 9.0	Rakka 10.5
Power kW	6.6	9.0	10.5
Voltage	400 V 3N	400 V 3N	400 V 3N
Connecting cable	5 x 1,5 mm ²	5 x 2,5 mm ²	5 x 2,5 mm ²
Fuse	3 x 10 A	3 x 16 A	3 x 16 A

Table 4.1

Heater dimensions (mm)

Type	Width	Depth	Height
Rakka 6.6	400	400	1100
Rakka 9.0	400	400	1100
Rakka 10.5	500	500	1100

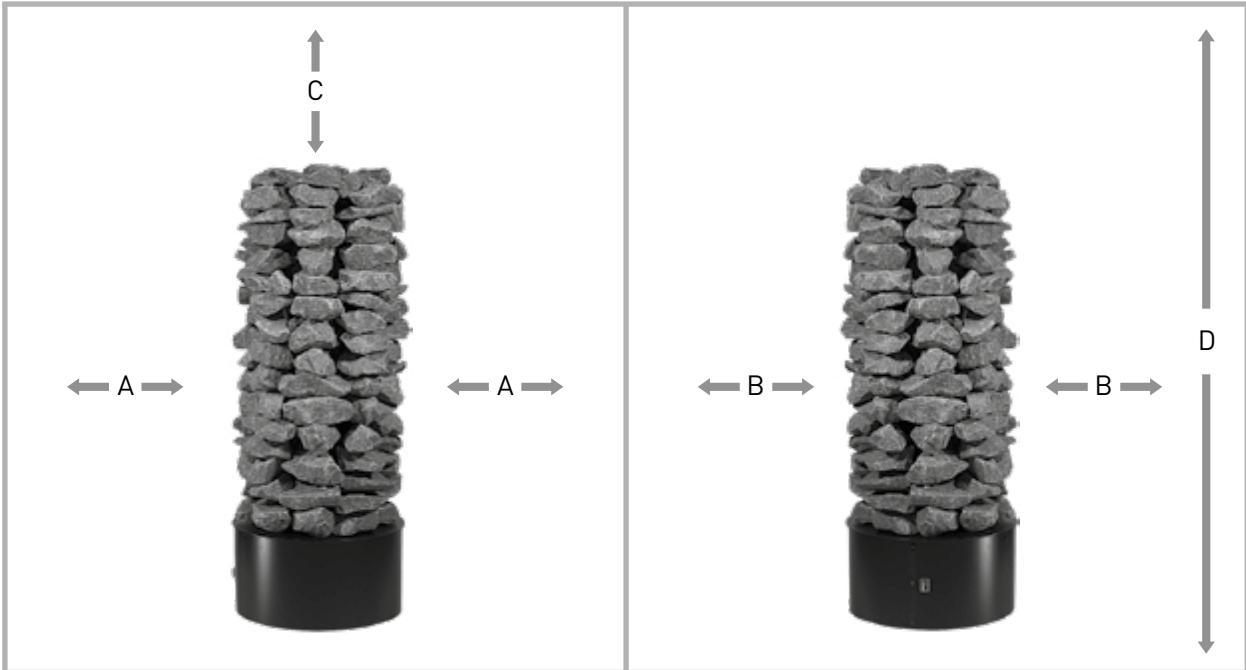
Table 4.2

Amount of stones

Type	Stone amount (kg)
Rakka 6.6	130
Rakka 9.0	130
Rakka 10.5	200

Table 4.3

Minimum distances to inflammable material (mm)



Type	A	B	C	D	Volume
Rakka 6.6	100	100	770	2,000	6–9 m ³
Rakka 9.0	120	120	770	2,000	8–15 m ³
Rakka 10.5	120	120	900	2,000	12–25 m ³

Table 4.4 Minimum distances to inflammable material (mm)

5. General instructions for the users of Rakka heaters

Note

Electrical connections may only be made by an electrician with a valid installation authorisation according to the current regulations. The Rakka electric heater is suitable for use in a family sauna, one (1) heater per sauna room. Retain the installation and operating instructions for further reference.

Installation cable

Use rubber cable H07RN-F as a connection cable.

Additional connection options

Control of electric heating with the heater: The electric heating control cable is brought directly to the heater's junction box and further to the heater's terminal block with a rubber cable that is dimensionally identical to the incoming cable.

NOTE! Failure to observe the connection instructions may cause a fire hazard!

NOTE! Remove all plastic film before using the heater!

6. Things to keep in mind when using the heater

First heating

During the first heating, the resistors may emit fumes. Therefore, ensure that the room is properly ventilated.

Sauna room

Always check the sauna room before switching the heater on! Always make sure that the timer has switched the power off after the set time period!

Temperature control

The temperature is adjusted by means of either a mechanical thermostat (see page 10: M types) or the control panel (see page 14: E2 types). The actual heating time depends on the dimensions, structure and thermal insulation of the sauna. The temperature in the sauna room can be maintained at the desired level with the thermostat. If the temperature of the sauna room becomes dangerously high for any reason, the overheating protector will switch the heater's power off. The cause of overheating must always be investigated. The power can be switched on again by pressing the overheating protector reset button (see page 10: M types and page 14: E2 types).

Heating time

An excessive heating time consumes energy and does not improve the steaming properties. The best steam is achieved by keeping the sauna's heating time relatively short, at about 30–60 min., according to the size of the sauna and the heater's power. The size of the sauna, the glass door, windows, or materials used may require a longer heating time.

Water thrown onto the heater

We recommend using hand warm water. The water should be fresh household water. Throwing the water onto the heater sides / lower stones generates softer steam. If you want steam that feels hotter and more intense, pour plenty of warm water on top of the heater all at once. **Do not use sea water or chlorinated water.**

Sauna room structure

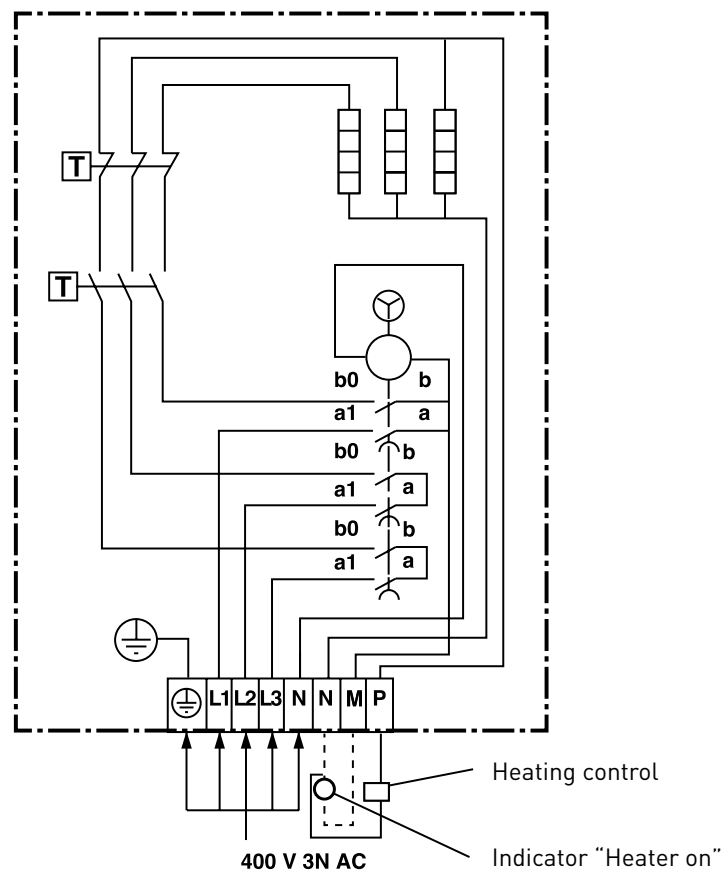
The sauna and its ceiling, in particular, should have good thermal insulation, as heat tends to escape through the ceiling. Due to the moisture, we recommend that you use aluminium paper. The size of the heater should be selected according to the size of the sauna (in cubic metres). In addition to calculating the power need for the regular sauna structure (glass wool–foil–wood), the following should be taken into consideration.

If the sauna has any uninsulated wood, tile or concrete surfaces or the walls are made of logs, the heater power needs to be increased. For every uninsulated square metre, the heater power need increases by the same amount as if increasing the space volume by 1.2 m³ and on timber surfaces by 1.5 m³. The factor for glass surfaces (glass walls, doors and uninsulated stone surfaces) is also 1.2 m³ per square metre. In borderline cases, you should choose a heater with higher power.

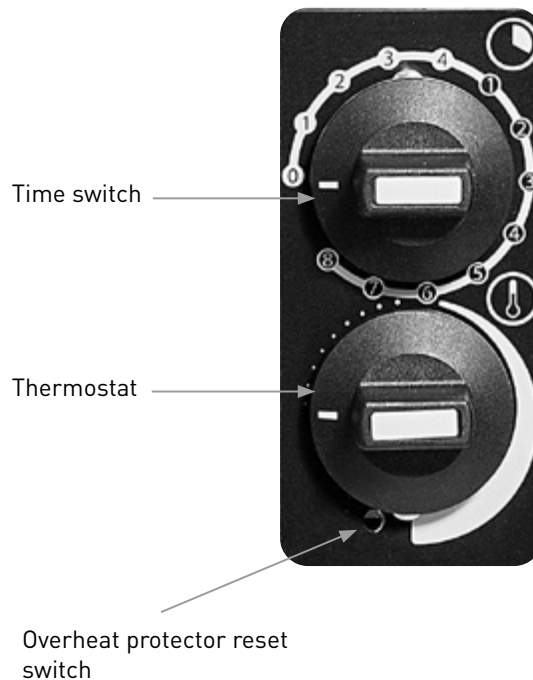
The sauna needs efficient ventilation for a good oxygen level and a sufficient amount of fresh air. The air in the sauna needs to change at least 6 times per hour. For a sauna with an electric heater, mechanical ventilation is the most convenient ventilation method. The supply air should be provided through an inlet located 500 mm, at a minimum, above the heater, either on the wall or in the ceiling. NOTE: the distance of an undirected inlet air valve from the temperature sensor must be at least 1,000 mm, while the distance of an inlet air valve directed away from the sensor must be at least 500 mm. The exhaust valve should be placed on the opposite wall, as far away from the heater and as close to the floor level as possible. It is highly recommendable to install an exhaust air valve in the ceiling as well for an easier removal of moisture after sauna sessions.

For more information, refer to the construction instructions and building regulations.

7. Wiring diagram M type



8. Time switch and thermostat operation M type



The time switch (4+8 h) is also the heater's main switch. After a set time, the time switch automatically switches the heater off. With the timer function, the heater can be set to switch on in 1–8 hours. The maximum warm-up time is 4 hours.

For example:

If you want the sauna to be ready as soon as possible, set the time switch between 1 and 4. The heater switches on immediately and begins to warm up. Set the desired temperature by turning the thermostat.

If you want the sauna to be ready in three hours, turn the timer to 2 on the time switch scale of 1–8. The timer starts and the power will be switched on and the heater will start warming up after two hours. When the power has been switched on, the heater will remain on for a maximum of 4 hours. After that, the power will be switched off automatically. You can switch the power off sooner by turning the time switch to zero (0).

Always make sure that the time switch has switched the power off after the set time period!

Additional connection options

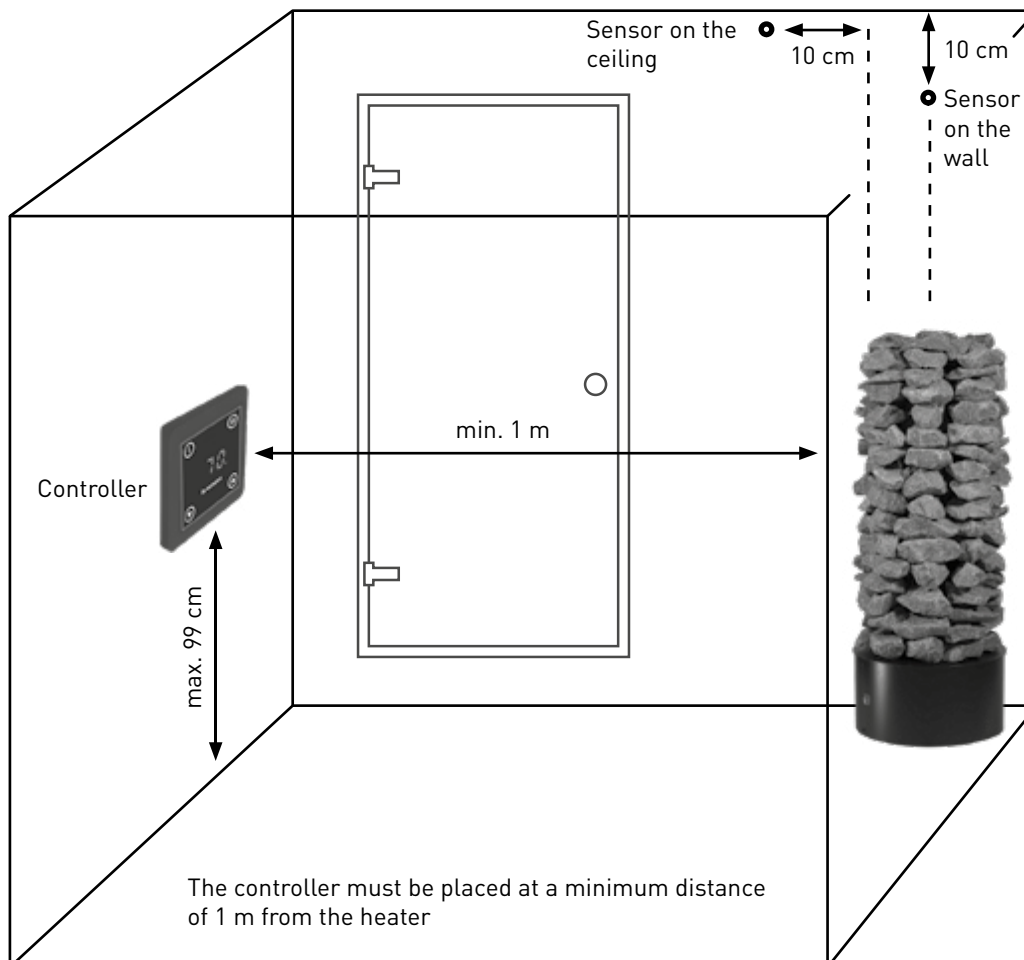
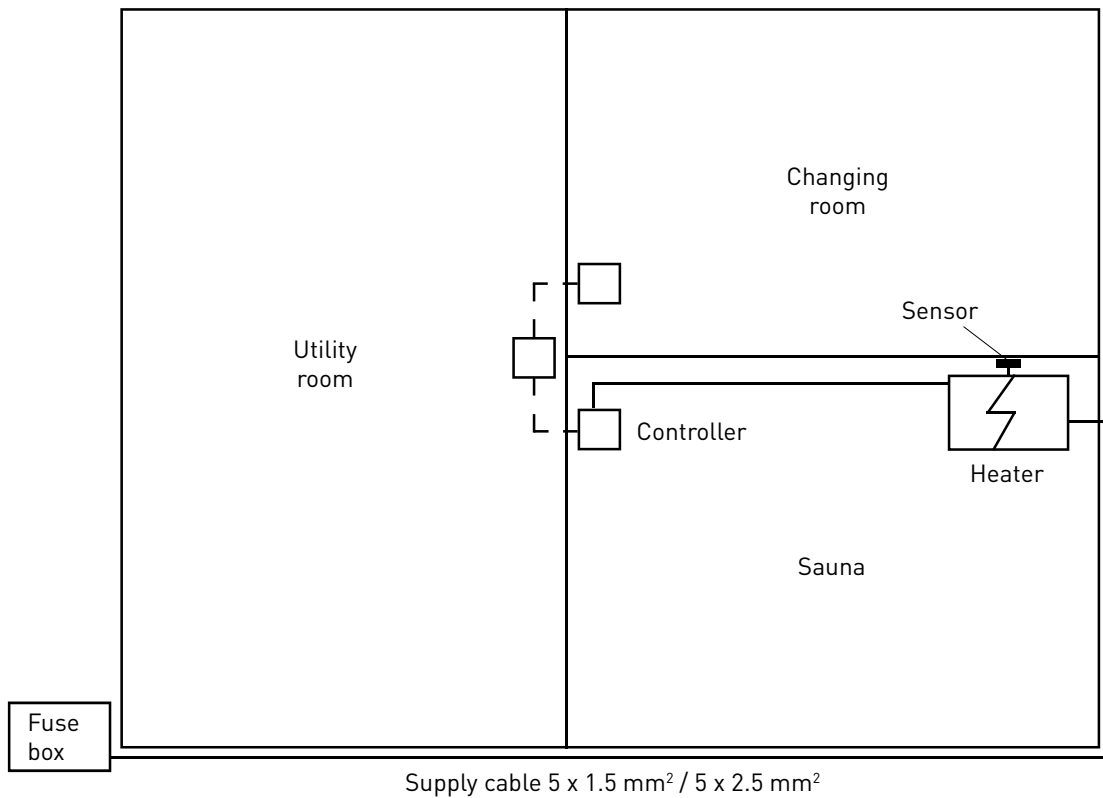
Connecting a signal light outside the sauna room

The connection cable used should be, for example, the H07RN-F cable with a cross-sectional area the same as that of the connection cable.

Control of electric heating with the heater

The electric heating control cable is brought directly to the heater's junction box and further to the heater's terminal block with a rubber cable that is dimensionally identical to the incoming cable.

9. Installation instructions E2 type



Installation of external control and sensor

The type E2 heater package includes:



Controller



Temperature sensor

Reinforcing plate



Plastic clip



Cover plate



Control panel



The temperature sensor can be placed either on the wall or on the ceiling. It must be installed in a place where it cannot be affected by the inlet air.

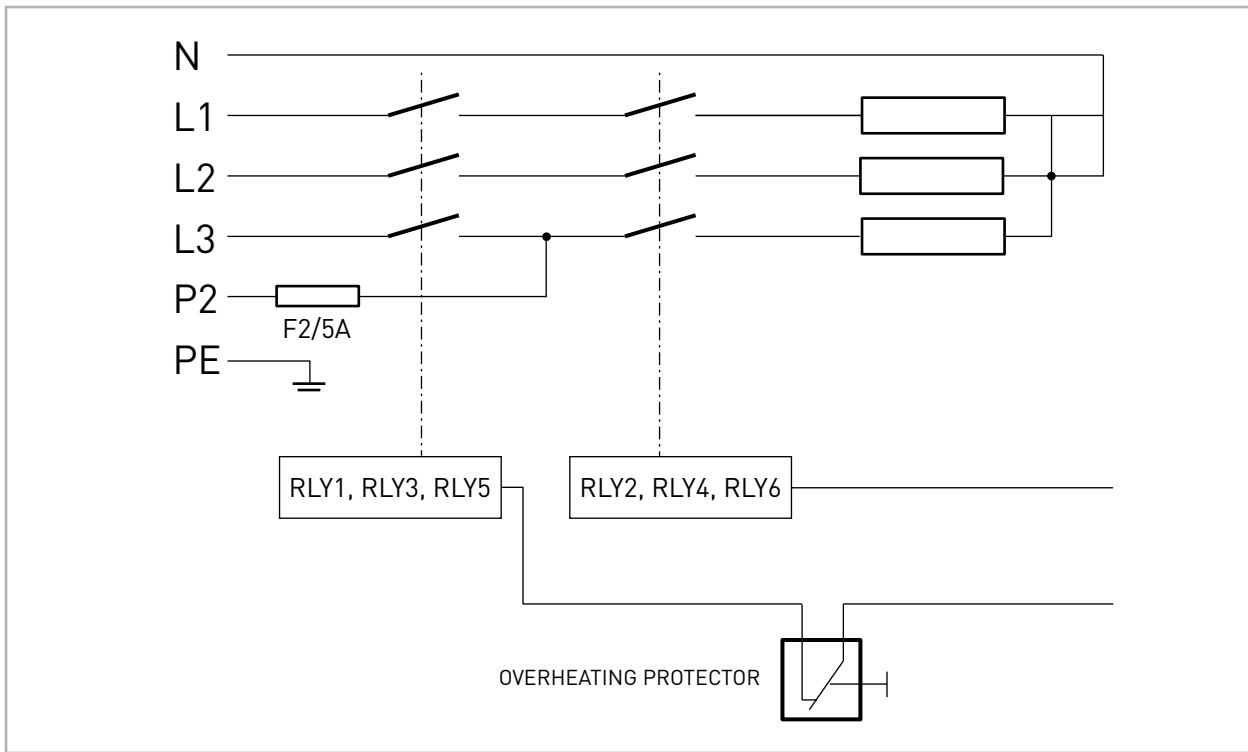
On the wall, place the sensor 10 cm from the ceiling vertically at the centreline of the heater (compare sketch on page 11).

On the ceiling, place the sensor 10cm outside the circumference of the heater (compare sketch on page 11).

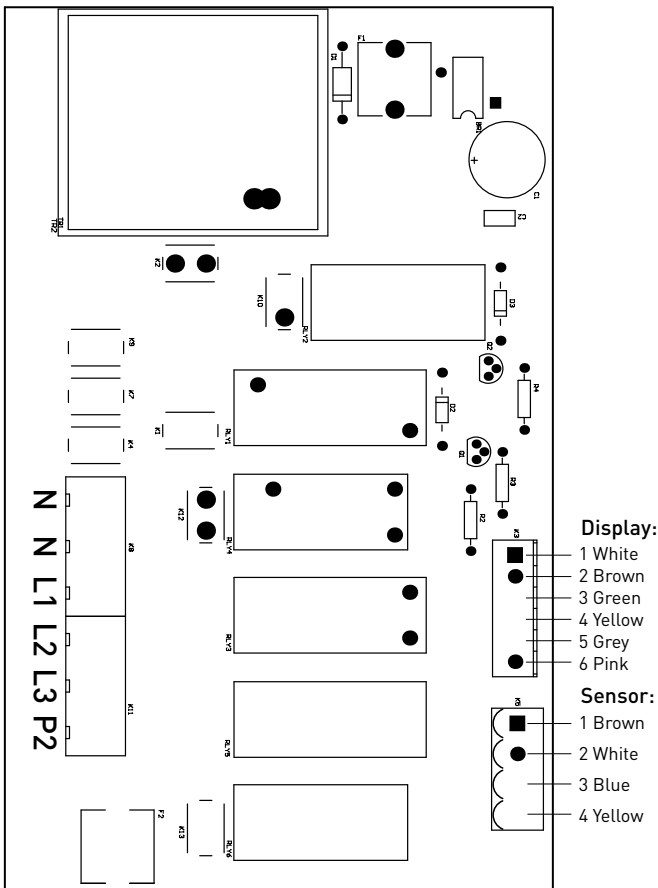
Place the reinforcing plate between the wall/box and the plastic clip.

The plastic clip is either mounted to the wall using three screws or affixed to the bottom of the mounting box. The plastic clip is covered first with a cover plate and finally with the control panel. The length of the sensor cable is 10 m. Cut the excess wire and connect the other end to the heater. When installing the control panel, make sure that the cables do not become detached or bend.

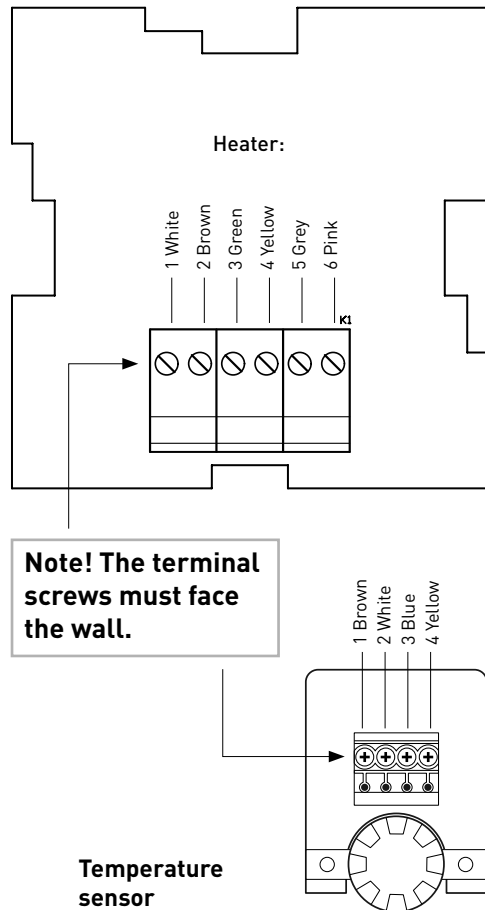
10. Wiring diagram



Controller card wiring, heater



Controller card wiring, controller



11. Heater control and operation, E2 type



Switching on the heater

The heater is switched on by pressing the ON/OFF button. ⓘ

If three lines appear on the display, the buttons are locked. ⓘ

The buttons can be unlocked by pressing the ON/OFF and MENU buttons simultaneously until all LED segments on the display are lit (as shown in the picture). ⓘ

The heater is switched on by pressing again the ON/OFF button. ⓘ

Starting the heating process

When the heater is switched on, the duration of heating last used is displayed (the default value is 2 hours). ⓘ

The duration of heating can be changed by using the UP and DOWN buttons, either by repeatedly pressing them briefly or by keeping them depressed longer. The time will change in 30-minute increments. ⓘ

The target temperature last used can be displayed by pressing the MENU button. ⓘ

The temperature can be changed by using the UP and DOWN buttons, either by repeatedly pressing them briefly or by keeping them depressed longer. ⓘ

Timing of the heating process

The timing setting is displayed by pressing again the MENU button. ⓘ

The right-hand decimal point on the display is lit as an indication of the fact that the timing setting is displayed. ⓘ

The setting can be changed by using the UP and DOWN buttons, either by repeatedly pressing them briefly or by keeping them depressed longer. The time will first change in 30-minute increments, and after ten hours, in one-hour increments. ⓘ

If the timing has been set and the ON/OFF button is pressed, the timing will start first and only after that the actual heating process. ⓘ

During the timing, the right-hand decimal point on the display is blinking as an indication of the timing being in progress. ⓘ

The timing setting can be changed during the timing process by using the UP and DOWN buttons, either by repeatedly pressing them briefly or by keeping them depressed longer. ⓘ

If the timing setting is changed to zero or the ON/OFF button is pressed during the timing process, the timing process ends and the heating process starts immediately. ⓘ

Starting the heating

The duration of heating is displayed again by pressing the MENU button one more time. You can now start the heating by pressing the ON/OFF button. The current temperature will be displayed, and the right-hand decimal point on the display is lit as an indication of the heating process being in progress. ⓘ

The target temperature can be adjusted by using the UP and DOWN buttons. When the target temperature has been adjusted, the current temperature will again be displayed after a while. The remaining heating time is displayed by pressing the MENU button during the heating process.



The duration of heating can now be changed by using the UP and DOWN buttons, and the current temperature will be displayed when the change has been made. If the duration of heating is changed to zero, the heating stops immediately.



Stopping the heating or timing process

The heater can be turned off by pressing the ON/OFF button for a while during the heating or timing process or any other state.



Quick start of the heating process

The heating process can be started quickly by pressing the MENU button. That sets the duration of heating to two hours and the target temperature to the value last used (the default value is 70 °C).



If three lines appear on the display, the buttons are locked. The buttons can be unlocked by pressing the ON/OFF and MENU buttons simultaneously until all LED segments on the display are lit (as shown in the picture).



The heating process can be started by pressing again the MENU button.



Parental control

The heater has a menu for separately set parameters.

You can enter the menu by pressing the MENU and ON/OFF buttons simultaneously for a while. The abbreviation of the first parameter will be displayed.



The current value of the parameter can be displayed by pressing the MENU button.



You can change the parameter value by using the UP and DOWN buttons.



The chosen parameter value can be saved by pressing the MENU button so that the abbreviation of the parameter is again displayed.



You can leave the menu by pressing the ON/OFF button. This will also switch the heater off.



Parameter	Abbreviation	Value range	Default value
Button locking	---	on/off	ON

Error codes

When a known fault situation arises, an error code is displayed. It has one of the following meanings:

Error code	Meaning
E01	The overheating protector has tripped
E02	The thermal sensor is out of order
E03	The thermal sensor is not connected

12. Heater control and operation, O type (without controller)

Using the heater

Type O heaters are operated from a separate control unit. Read the operating instructions delivered with the control unit.

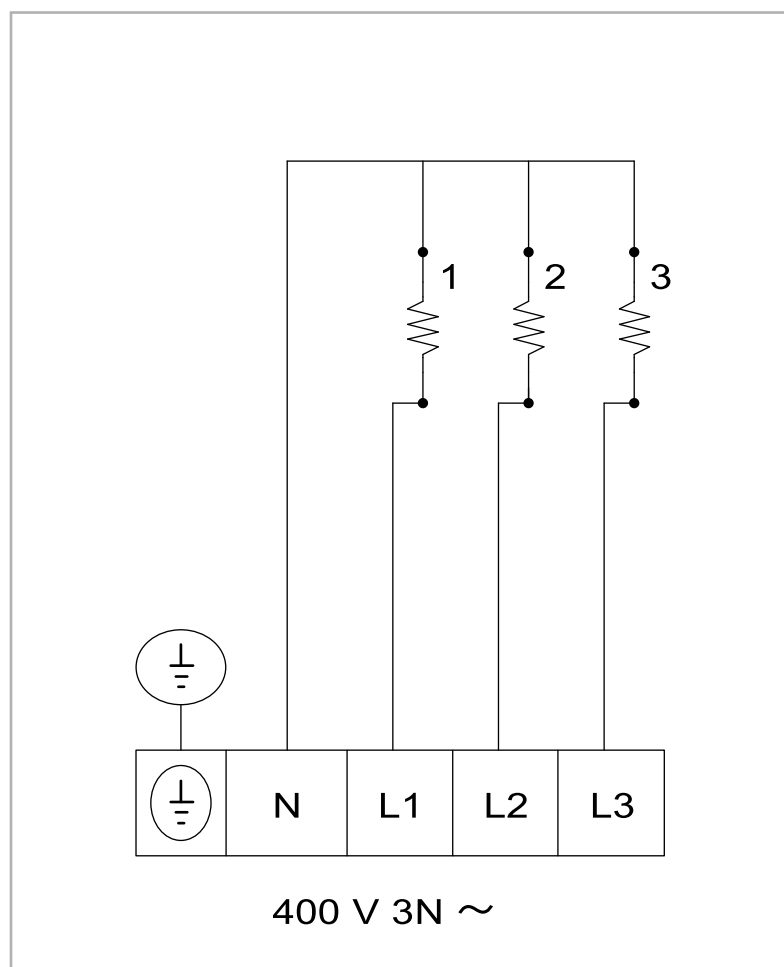
Sauna room

Do not place the inlet air valve so that the air flow cools the temperature sensor (for installation instructions of the temperature sensor, see the instructions for the control unit)!

Overheating protector

Installation and resetting of the overheating protector, type O: See the installation instructions for the control unit.

Wiring diagram



13. Troubleshooting

Heater does not warm up

Check the heater fuses at the fuse box

Is the power on?

Check that all three heating resistors are glowing then the heater is on

Has the overheating protector tripped?

→ **M type:** This is reset by pressing the overheating protector reset switch powerfully with a sharp object until a click is heard. → **Type E2:** This is reset by pressing the button in the sensor box until a click is heard. The cause of overheating must always be determined before the heater is switched on again! If necessary, contact the dealer or manufacturer.

Warnings

- Due to a risk of fire, do not use the sauna to dry clothes or laundry.
- Exercise caution with a hot heater, since the heater stones and metal parts become very hot and can cause burns.
- The water steam rising from the heater is hot and can cause burns.
- Children, disabled and ill persons who are using the sauna should be supervised.
- Benches and floors may be slippery, therefore move in the sauna with caution.
- Do not go to a hot sauna under the influence of narcotic substances (alcohol, drugs, narcotics, etc.)

Warranty

For heaters and control units in private use, the warranty is two (2) years. In commercial/professional use, the warranty is three (3) months. Commercial use refers to facilities in which the heater is in use on a continuous basis, such as fitness centres, swimming pools, housing companies etc. It is not recommended that the heater is on for longer than six (6) hours at a time. Retain the sales receipt or warranty card. The warranty does not cover external or internal mechanical damage caused by, for example, the impacts of stones or the heater falling over. The warranty also does not cover defects caused by acts of nature, such as lightning, or damage caused by overvoltage. Please also see chapter "Changing the heater stones".

Removing or re-stacking of heater stones are not covered by the warranty in a potential warranty maintenance. The manufacturer will not compensate the buyer for expenses incurred by a product defect or malfunction, loss caused by disruption of business operations, or any other direct or indirect damage. For more detailed warranty terms and conditions, please see www.mondex.fi/en/product-support/.

Maintenance and spare parts

In case of a fault that cannot be solved, please contact the store where you purchased the heater or email info@mondex.fi. Spare parts can be purchased from Mondex distributors and the manufacturer. When purchasing spare parts, please refer to the name, power, serial number and manufacturing date of the heater to ensure you receive the correct parts.

Natural stone as material

Small pebbles or pieces may come off the natural stone used in the heater. As this is not a failure of the organic material but a natural feature that cannot be predicted at the time of manufacturing the product, the manufacturer is not responsible for any damage.

Changing the heater stones

Re-stack the heater stones and replace any eroded stones annually, more often if used intensively (every three months in commercial/professional use). The good condition and proper, spacious stacking of the stones around the resistors inside the heater ensure a sufficient air flow between the resistors. **If this is not done annually, proper air flow may be obstructed and the resistors may fail prematurely, and that is not covered by the warranty.**

